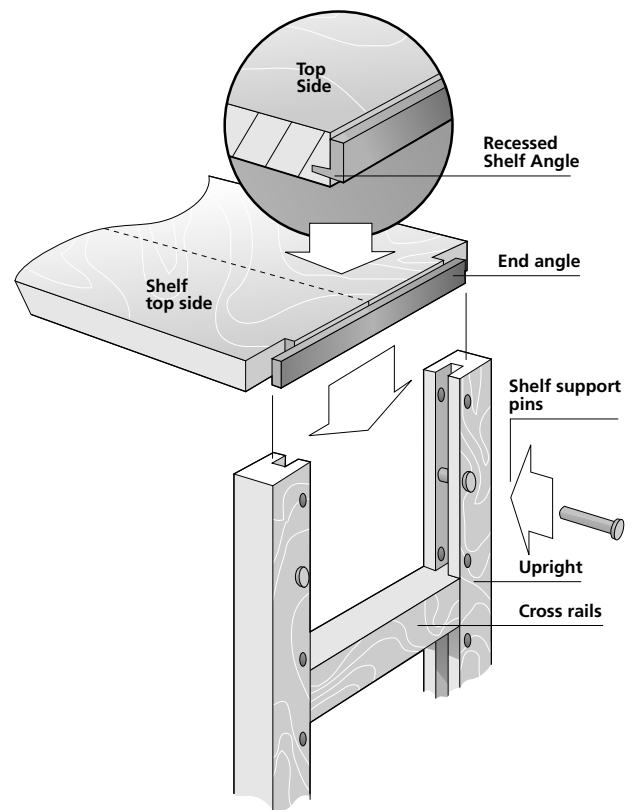


Shelf Design



Lundia ensures superior strength and flexibility

A distinctive feature of Lundia's solid timber shelving systems is the special shelf design. The points carrying the heaviest load are reinforced, which means that a Lundia shelf can carry 200kg in weight, with a maximum of 580kg per shelving bay, regardless of the shelf size.

How it works

Both ends of the Lundia shelf are reinforced with strong end angles integrated into the wood. These prevent the shelf from buckling and increase its carrying capacity. Grooves in the Lundia uprights channel the weight into the middle of the upright column, while the corner notches in the shelves help guide the end angles firmly into place in the upright grooves. In this way, the weight on each shelf is transferred to the upright through the end angles and shelf support pins, ensuring superior strength and flexibility.

