

Link-On 65 Screen Systems



The best office environments are those catering to the constantly expanding range of user needs.

People spend a significant portion of their lives at work. This is why Link-On has developed and crafted its office systems to be individually customised to suit the environment, personality, culture and functional requirements of any business and its people.

With Link-On screen systems we offer unrivalled innovation, flexibility, functionality and aesthetic consideration, to ensure your office works perfectly in any given environment.

From the elegantly understated powder coated aluminium frames, to the seemingly endless variety of fabric and alternative finishes, to the internal power and data cable ducting, Link-On can offer tailor-made solutions for your specific office partition, commercial furniture, and storage requirements.

- A classic whiteboard is just one of the many functional screen surface options.
- The end-cap is a well-proportioned, robust, finishing detail.
- Glass or acrylics fit neatly into framing providing a variety of visual and privacy alternatives within the workplace.
- The available range of screen and furniture finishes is phenomenal – in both quantity and quality.

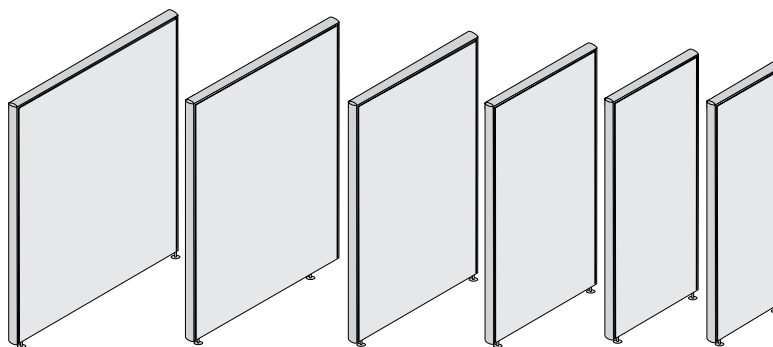


Design Features

- 65mm wide with sturdy aluminium periphery attached to timber internal frame.
- All aluminium and accessories supplied powder coated to clients' specification.
- Upholstered in any client specified fabric, or from our range of fabrics.
- All exposed ends and top rails are capped with stylish profile cap, removing harsh edges from the environment.
- Pinnable unless specified other
- Easily extended or reconfigured.
- Relocation service available.
- Upholstery recovery service available.
- Many useful accessories available.

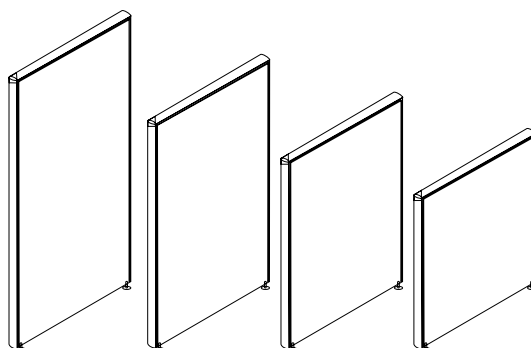
Dimensions

As well as the available standard range of dimensions, we are able to manufacture custom screens to suit the client specific layout



1200 1000 900 800 700 600

Standard widths
Others available on request

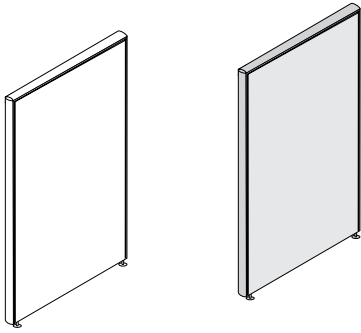


1800 1500 1200 1000

Standard heights
Others available on request

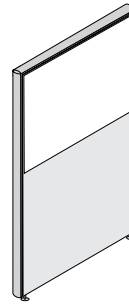


Standard Screen



Rigid timber internal frame with upholstered pinnable panels. Sturdy aluminium periphery powder-coated to suit clients needs. Optional pinnable substrate.

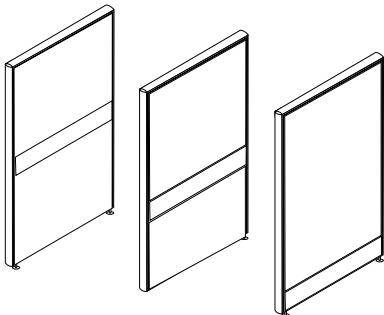
Tiled Screen



Alternative materials can be used on infill panels:
Whiteboard
Meltecca
Eco Panel

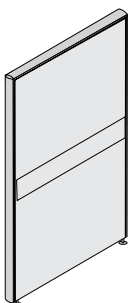
Glazing

The Link-On glazing system provides a unique alternative to solid screening. With a full range of glazing options at your disposal, you have the ability to develop environments connected by the flow of light. Both glass and acrylic are available as infill options either full or semi glazed



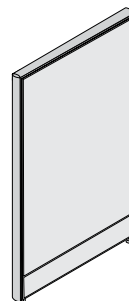
Ducted Screens

All ducted screens can be fitted double sided, or single sided to provide a cleaner finish in exposed aisles and public areas. With option of soft or hard wiring.



Above Desk Ducting

Provides easy access to services. Given there is increased mobility within most business environments, this system enables technology to be easily moved and relocated.



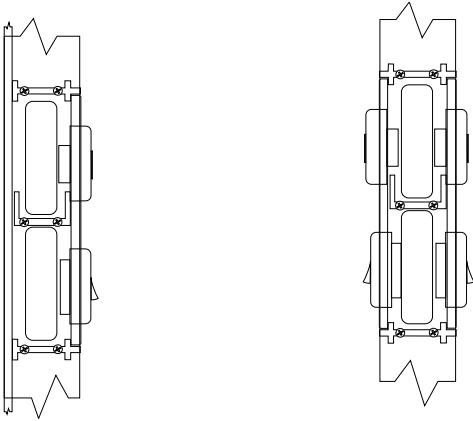
Skirt Ducting

Not everyone enjoys looking at plugs and electrical fittings. By concealing the outlets in this way you avoid the visual clutter and minimize the risk of knocking and disconnecting a critical power supply.

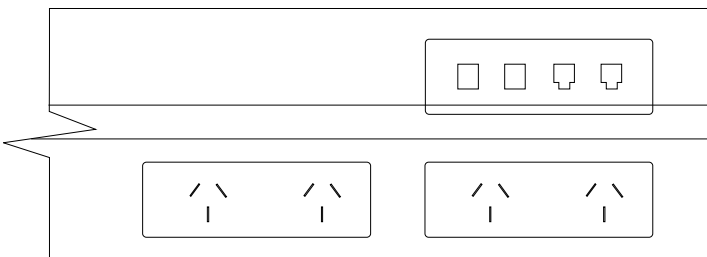
Power and Data

Capability to have power, data & phone connections above or below desk, and at floor level. Power ducting can be double sided with services accessible on both sides or single sided so the screens appear plain on the outside (e.g. aisle ways) with the services ducting on the inside.

Optional soft wiring is available which increases the flexibility of the system further.



Single or double ducting.
Services to one side or both sides.
On single ducting, the screen appears plain on other side, which is suitable for aiseways and public areas.



Sample for power and data layout.
Data is shown with 2 x RJ45, 2 x blank outlets.
Ducting is segregated to ensure there is no 'cross talk' between power, data and telecommunication services.

Screen Posts

All screen posts are pre-punched for the skirt, below and above desking ducting. This allows for the modification to 'pass through' wiring in the future.

Stock sizes are 1000, 1200, 1500, 1800 h. Variations are available on request.

